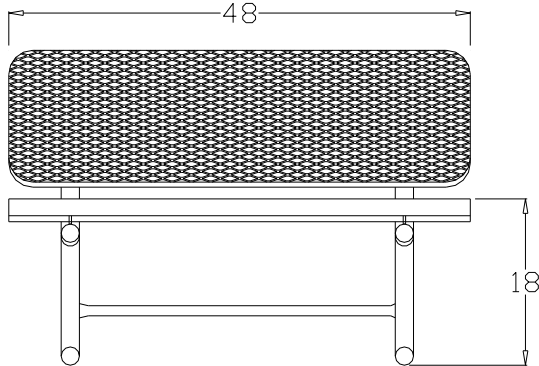
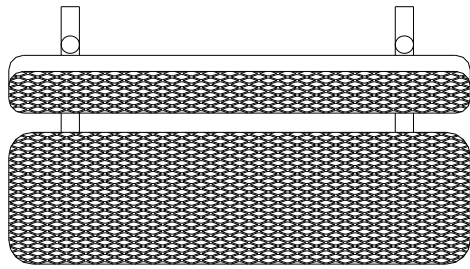
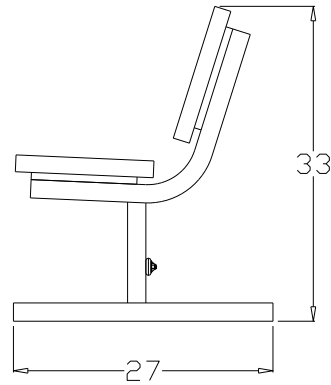




936-101



936-101 4FT CHAMPION SUPREME BENCH FS



Part No.	Description	Qty.
622-111	4' Supreme Champion Seat/ Back	2
630-110	Supreme Bench Stand w/back (Free Standing)	2
630-011	Bench with Back Brace	1
516-058	3/8" x 1-1/2" SS Hex Bolt	8
516-028	3/8" SS Nylock Nut	10
516-023	3/8" SS Washer	18

- 1 Drill plastic out of the mounting holes on the stands, seat/back and brace using a 7/16" dia. drill bit.
- 2 Fasten the seat/back to the stands loosely and then fasten the brace to the stands. The stands mount on the inside of the cross bar of the seat/back.
- 3 Set on a level surface and tighten all of the bolts.

In Accordance to California law: WARNING This product contains a chemical know to the State of California to cause cancer and birth defects or other reproductive harm.

Periodic check of bolt tightness recommended.



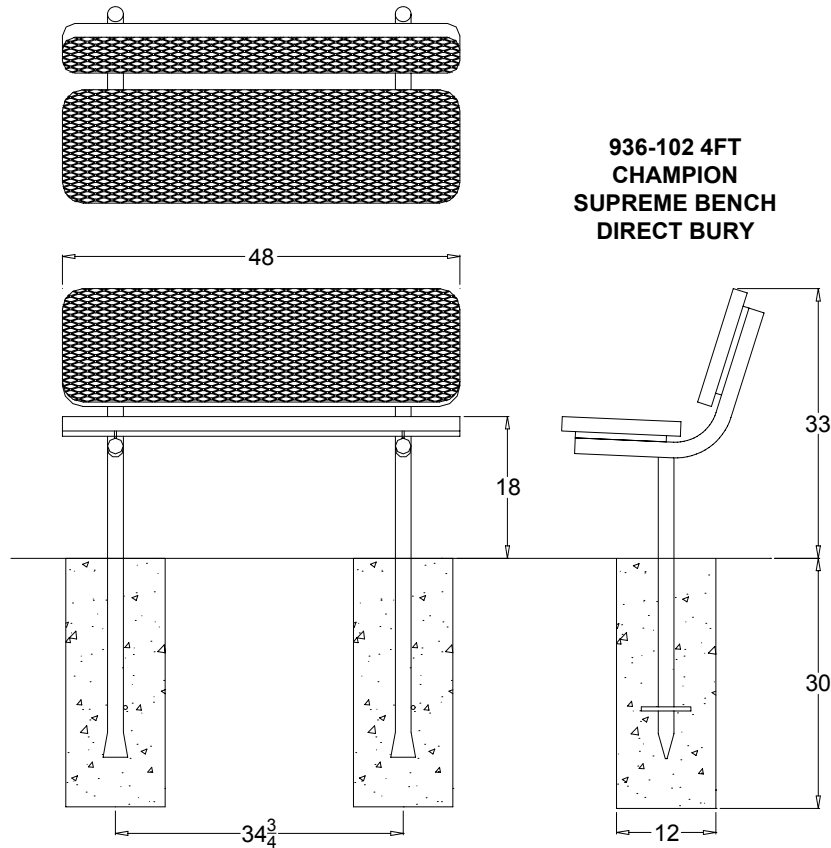
PREMIER POLYSTEEL

The Best Commercial Outdoor Furniture Available. Period.





936-102



Part No.	Description	Qty.
622-111	4' Champion Supreme Seat/Back	2
630-120	Supreme Stand (Direct Bury)	2
516-058	3/8" x 1-1/2" SS Hex Bolt	8
516-028	3/8" SS Nylock Nut	8
516-023	3/8" SS Washer	16

- 1 Drill plastic out of the mounting holes on the stands and the seat using a 7/16" dia. drill bit.
- 2 Attach seat and back to stands with 3/8" x 1-1/2" SS hex bolts, washers and nuts.
- 3 Secure in concrete footing as shown.

In Accordance to California law: WARNING This product contains a chemical know to the State of California to cause cancer and birth defects or other reproductive harm.

Periodic check of bolt tightness recommended.

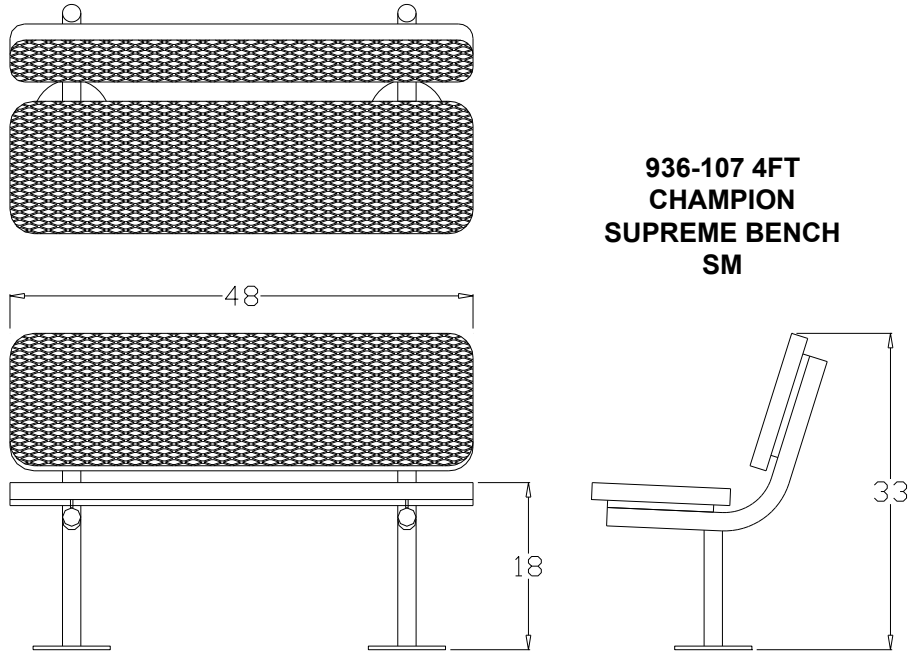


PREMIER POLYSTEEL
The Best Commercial Outdoor Furniture Available. Period.





936-107



**936-107 4FT
CHAMPION
SUPREME BENCH
SM**

Part No.	Description	Qty.
622-111	4' Supreme Champion Seat/ Back	2
633-112	Supreme Bench Stand w/back (Surface Mount)	2
516-058	3/8" x 1-1/2" SS Hex Bolt	8
516-028	3/8" SS Nylock Nut	8
516-023	3/8" SS Washer	16

- 1 Drill plastic out of the mounting holes on the stands and seat/back using a 7/16" dia. drill bit.
- 2 Fasten the seat/back to the stands loosely. The stands mount on the inside of the cross bar of the seat/back.
- 3 Set on a level surface and tighten all of the bolts.
- 4 Position where desired and anchor to floor with the appropriate fasteners.

In Accordance to California law: WARNING This product contains a chemical know to the State of California to cause cancer and birth defects or other reproductive harm.

Periodic check of bolt tightness recommended.



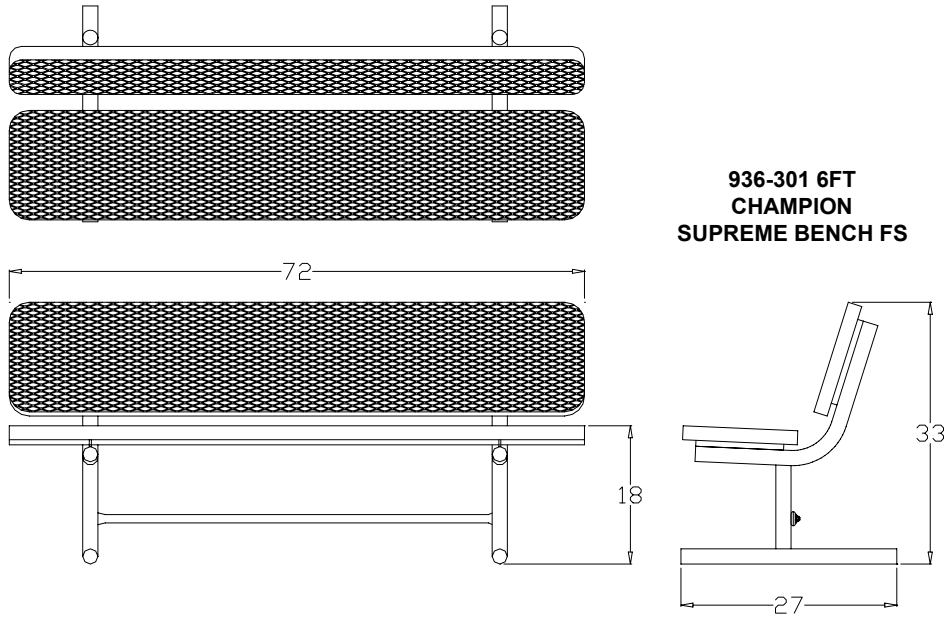
PREMIER POLYSTEEL

The Best Commercial Outdoor Furniture Available. Period.





936-301



**936-301 6FT
CHAMPION
SUPREME BENCH FS**

Part No.	Description	Qty.
622-113	6' Supreme Champion Seat/ Back	2
630-110	Supreme Bench Stand w/back (Free Standing)	2
630-013	6' Bench with Back Brace	1
516-058	3/8" x 1-1/2" SS Hex Bolt	8
516-028	3/8" SS Nylock Nut	10
516-023	3/8" SS Washer	18

- 1 Drill plastic out of the mounting holes on the stands, seat/back and brace using a 7/16" dia. drill bit.
- 2 Fasten the seat/back to the stands loosely and then fasten the brace to the stands. The stands mount on the inside of the cross bar of the seat/back.
- 3 Set on a level surface and tighten all of the bolts.

In Accordance to California law: **WARNING** This product contains a chemical know to the State of California to cause cancer and birth defects or other reproductive harm.

Periodic check of bolt tightness recommended.



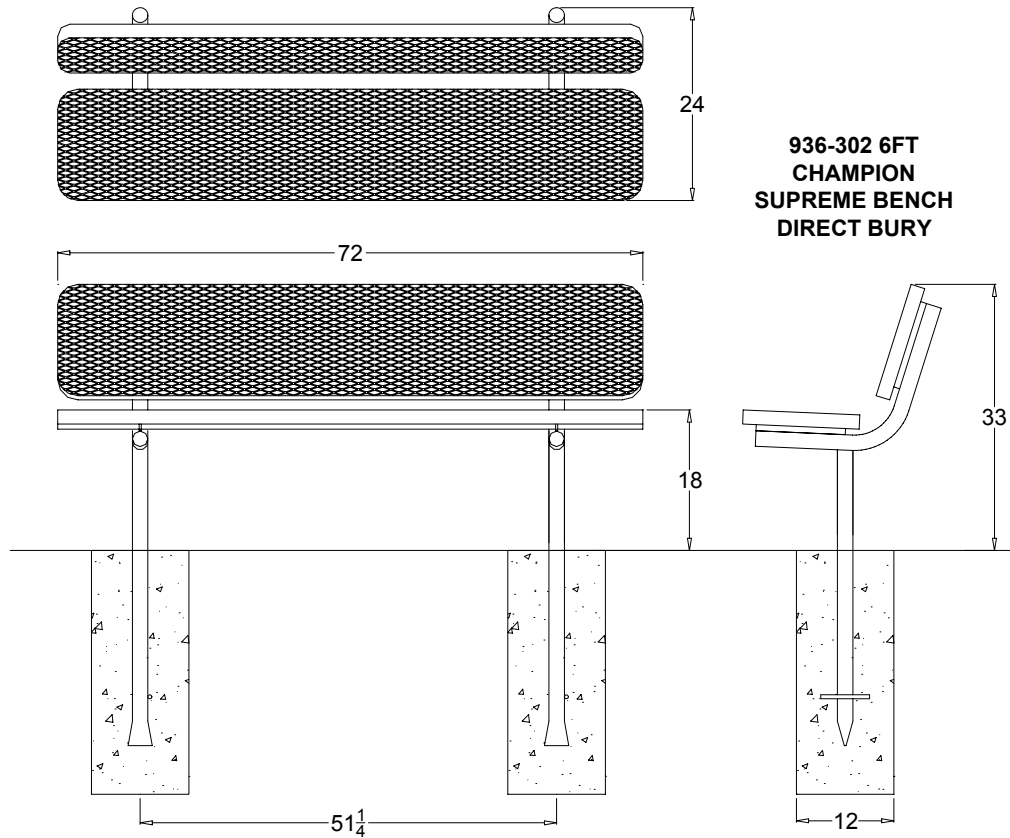
PREMIER POLYSTEEL

The Best Commercial Outdoor Furniture Available. Period.





936-302



Part No.	Description	Qty.
622-113	Champion Supreme Seat/Back	2
630-120	Supreme Stand (Direct Bury)	2
516-058	3/8" x 1-1/2" SS Hex Bolt	8
516-028	3/8" SS Nylock Nut	8
516-023	3/8" SS Washer	16

- 1 Drill plastic out of the mounting holes on the stands and the seat using a 7/16" dia. drill bit.
- 2 Attach seat and back to stands with 3/8" x 1-1/2" SS hex bolts, washers and nuts.
- 3 Secure in concrete footing as shown.

In Accordance to California law: WARNING This product contains a chemical know to the State of California to cause cancer and birth defects or other reproductive harm.

Periodic check of bolt tightness recommended.



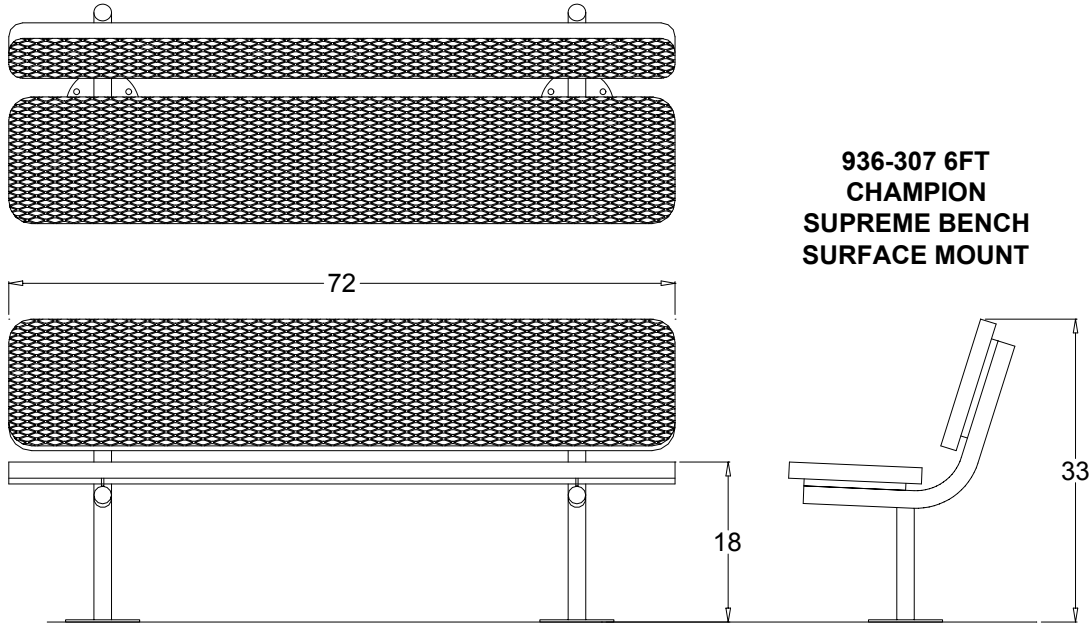
PREMIER POLYSTEEL

The Best Commercial Outdoor Furniture Available. Period.





936-307



Part No.	Description	Qty.
622-113	6' Supreme Champion Seat/ Back	2
633-112	Supreme Bench Stand w/back (Surface Mount)	2
516-058	3/8" x 1-1/2" SS Hex Bolt	8
516-028	3/8" SS Nylock Nut	8
516-023	3/8" SS Washer	16

- 1 Drill plastic out of the mounting holes on the stands and seat/back using a 7/16" dia. drill bit.
- 2 Fasten the seat and back to the stands loosely. The stands mount on the inside of the cross bar of the seat and back.
- 3 Set on a level surface and tighten all of the bolts.
- 4 Anchor to the floor surface with the appropriate fasteners.

In Accordance to California law: WARNING This product contains a chemical know to the State of California to cause cancer and birth defects or other reproductive harm.

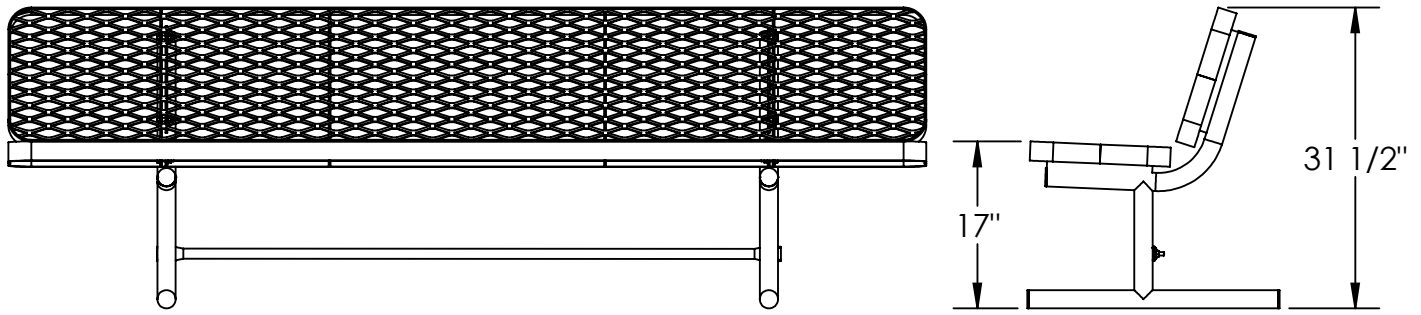
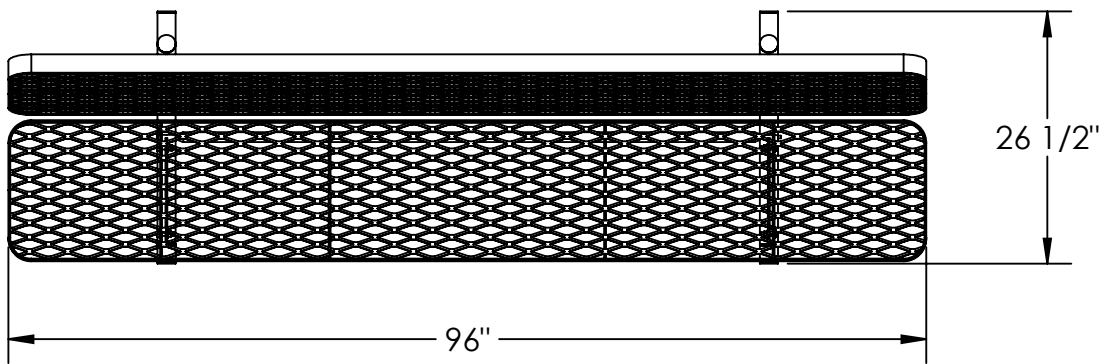
Periodic check of bolt tightness recommended.



PREMIER POLYSTEEL

The Best Commercial Outdoor Furniture Available. Period.





1. Drill plastic out of the mounting holes on the stands, seat/back and brace using a 7/16" dia. drill bit.
2. Fasten the seat/back to the stands loosely and then fasten the brace to the stands. The stands mount on the inside of the cross bar of the seat/back.
3. Set on a level surface and tighten all of the bolts.

In Accordance to California law: WARNING This product contains a chemical know to the State of California to cause cancer and birth defects or other reproductive harm.

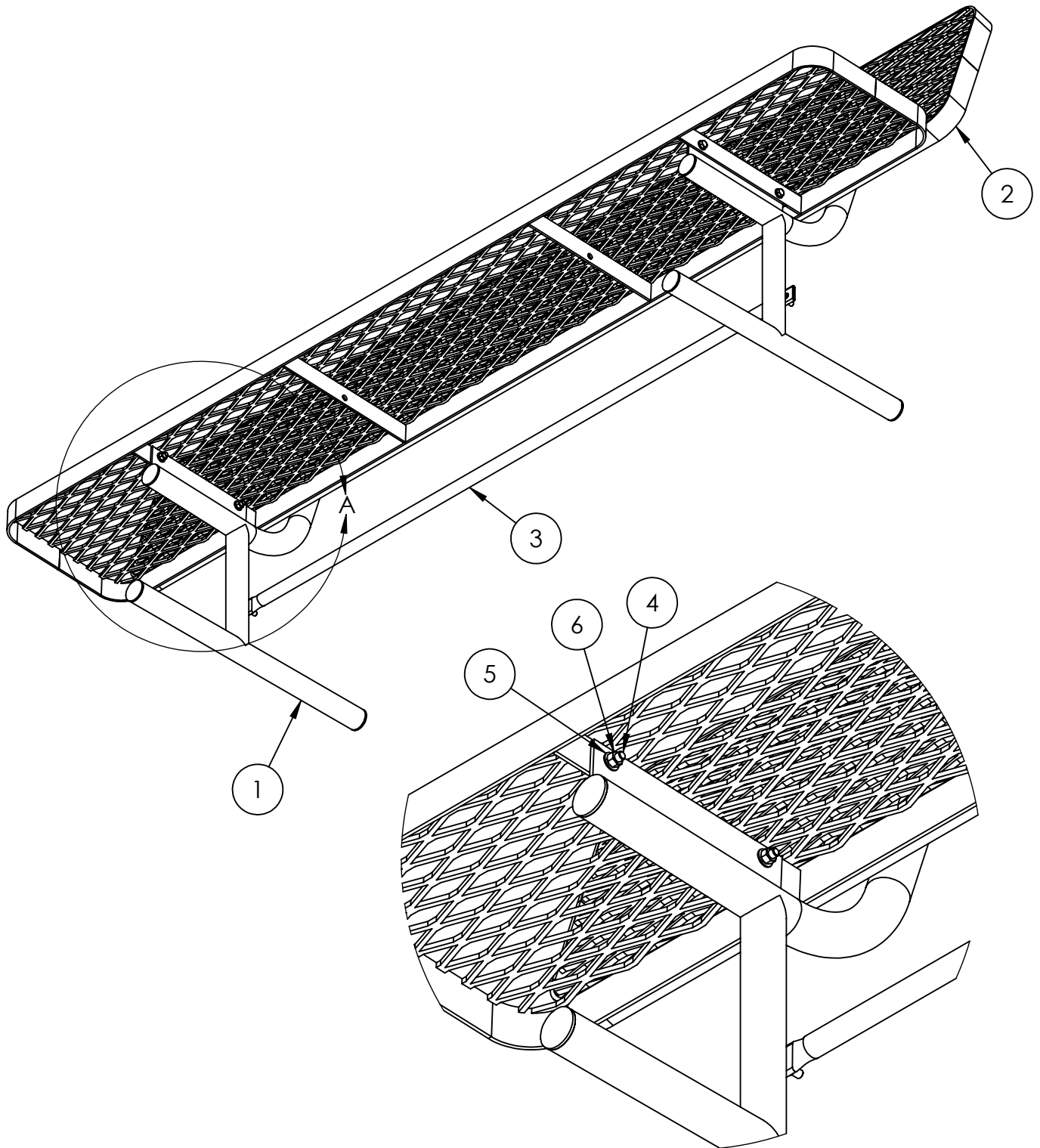
ITEM NO.	PART NUMBER	DESCRIPTION	QTY.
1	630-110	Bench with back stand FS	2
2	622-115	Champion Supreme Seat/Back	2
3	630-017	8' Bench with Back Brace	1
4	516-058	3/8"x1-1/2" SS Hex Bolt	8
5	516-023	3/8" SS Flat Washer	18
6	516-028	3/8" SS Nylock Nut	10



PREMIER POLYSTEEL

The Best Commercial Outdoor Furniture Available. Period.





DETAIL A
SCALE 1 : 6



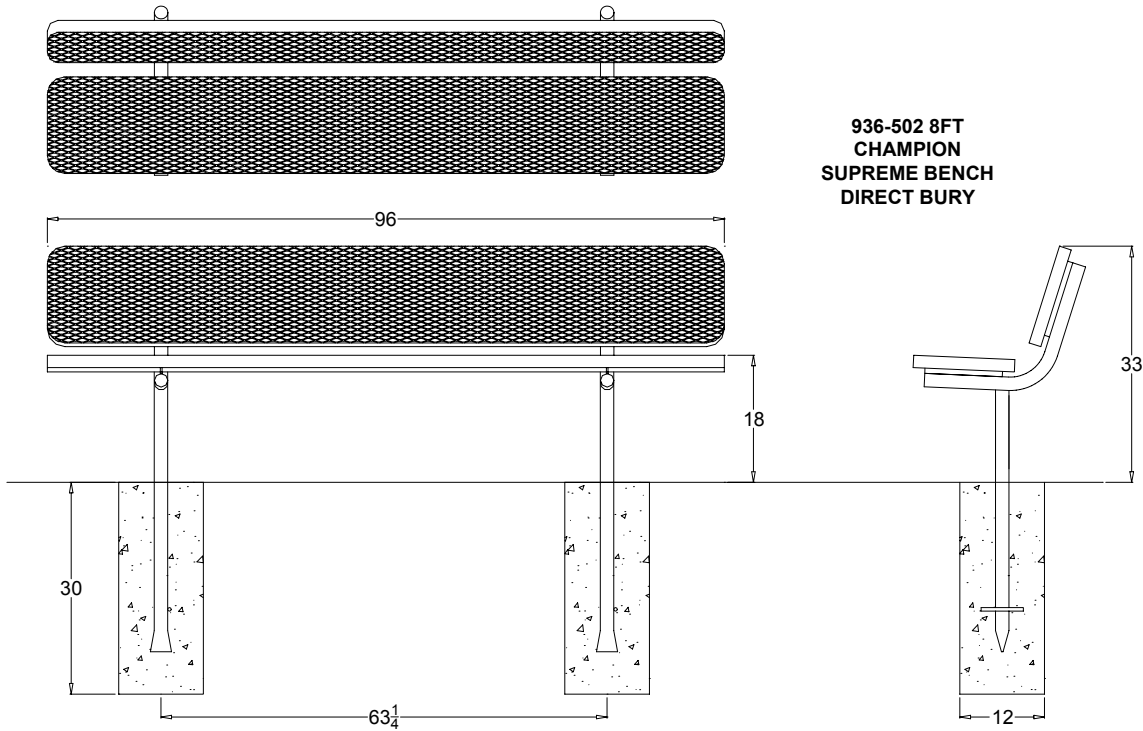
PREMIER POLYSTEEL

The Best Commercial Outdoor Furniture Available. Period.





936-502



Part No.	Description	Qty.
622-115	Champion Supreme Seat/Back	2
630-120	Supreme Stand (Direct Bury)	2
516-058	3/8" x 1-1/2" SS Hex Bolt	8
516-028	3/8" SS Nylock Nut	8
516-023	3/8" SS Washer	16

- 1 Drill plastic out of the mounting holes on the stands and the seat using a 7/16" dia. drill bit.
- 2 Attach seat and back to stands with 3/8" x 1-1/2" SS hex bolts, washers and nuts.
- 3 Secure in concrete footing as shown.

In Accordance to California law: WARNING This product contains a chemical know to the State of California to cause cancer and birth defects or other reproductive harm.

Periodic check of bolt tightness recommended.



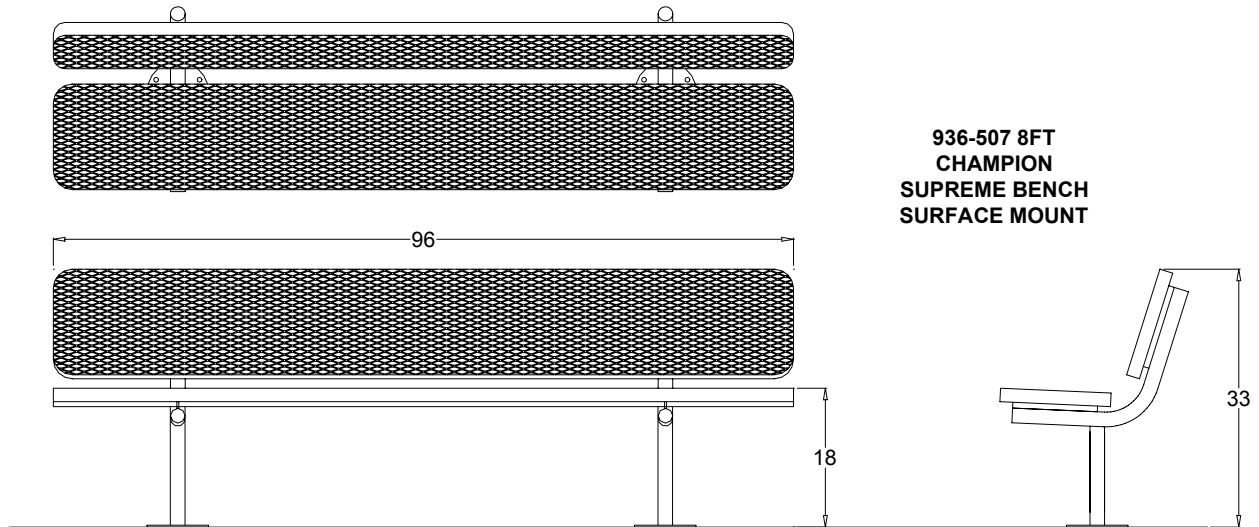
PREMIER POLYSTEEL

The Best Commercial Outdoor Furniture Available. Period.





936-507



Part No.	Description	Qty.
622-115	8' Supreme Champion Seat/Back	2
633-112	Supreme Bench Stand w/back (Surface Mount)	2
516-058	3/8" x 1-1/2" SS Hex Bolt	8
516-028	3/8" SS Nylock Nut	8
516-023	3/8" SS Washer	16

- 1 Drill plastic out of the mounting holes on the stands and seat/back using a 7/16" dia. drill bit.
- 2 Fasten the seat and back to the stands loosely. The stands mount on the inside of the cross bar of the seat and back.
- 3 Set on a level surface and tighten all of the bolts.
- 4 Anchor to the floor surface with the appropriate fasteners.

In Accordance to California law: WARNING This product contains a chemical know to the State of California to cause cancer and birth defects or other reproductive harm.

Periodic check of bolt tightness recommended.



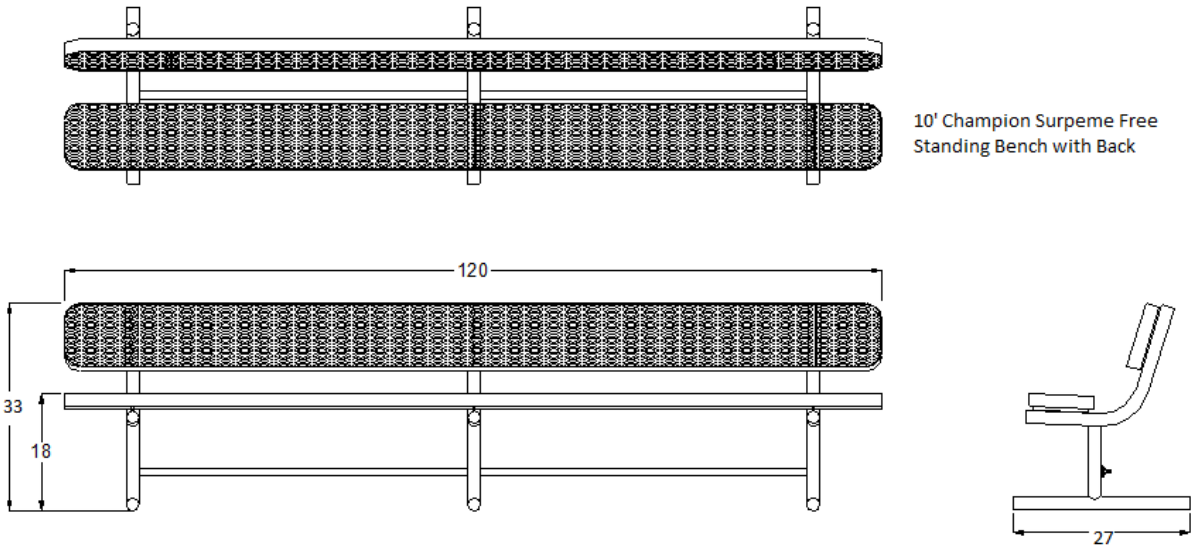
PREMIER POLYSTEEL

The Best Commercial Outdoor Furniture Available. Period.





936-601



10' Champion Supreme Free Standing Bench with Back

Part No.	Description	Qty.
622-116	Champion 10' Supreme Seat/Back	2
630-110	Bench with Back Stand Free Standing	3
630-016	Bench w/Back Brace 10'	1
516-058	3/8" x 1-1/2" SS Hex Bolt	12
516-028	3/8" SS Nylock Nut	15
516-023	3/8" SS Washer	27

- 1 Drill plastic out of the mounting holes on the stands, seat and back using a 7/16" dia. drill bit.
- 2 Fasten the seat and back to the stands loosely. The end stands are mounted to the inside of the seat and back mounting plate. The center stand can be mounted to either side of the mounting plate.
- 3 Fasten the brace to the stands loosely. The center slot is offset. You may need to turn the brace end for end to get it aligned with the stand.
- 4 Tighten all of the bolts.

In Accordance to California law: WARNING This product contains a chemical know to the State of California to cause cancer and birth defects or other reproductive harm.

Periodic check of bolt tightness recommended.



PREMIER POLYSTEEL

The Best Commercial Outdoor Furniture Available. Period.

